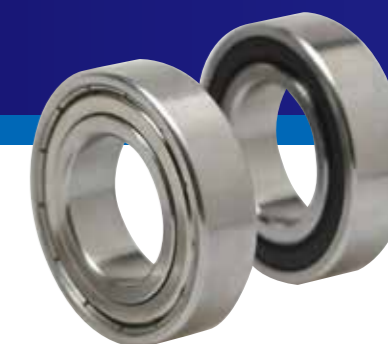


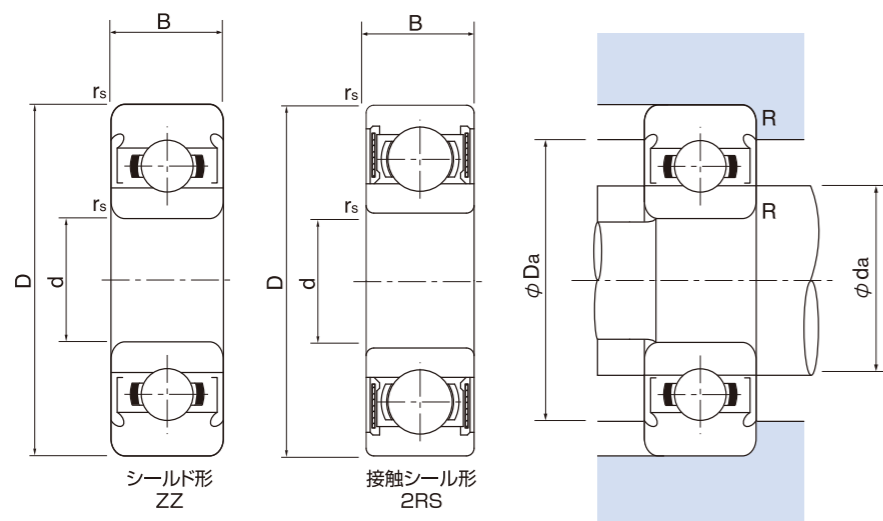
ステンレスベアリング

STAINLESS BEARINGS



深溝玉軸受

DEEP GROOVE BALL BEARINGS



■標準仕様
Standard Specification

内外輪 Inner and Outer Rings	SUS440C(相当) (equivalent)
ボール Ball	SUS440C(相当) (equivalent)
保持器 Cage	SUS304(相当) (equivalent)
シールド Shields	SUS304(相当) (equivalent)
シール Seals	ニトリルゴム Nitrile Rubber
潤滑油 Lubricant	リチウム系グリース Lithium greases
精度等級 Accuracy Class	JIS 0級 JIS 0 Class
すきま Clearance	CN CN Clearance
耐熱温度 Heat-Resistant Temperature	Z Z 120°C(参考値) 2RS 100°C(参考値)

RoHS 10

主要寸法(mm) Main Dimensions (mm)				型番 Bearing Number		基本定格荷重 Basic Load Rating		取付関係寸法(mm)参考値 Installation Dimension(mm) Reference Level				許容回転数(min-1) グリス潤滑 rpm Allowable Maximum Speed(min-1) Grease Lubricant rpm		重量(g) 参考 Weight(g) Reference
d	D	B	r _s (min)	シールド形 Shields	接触シール形 Contact Seals	Cr(N)	Cor(N)	Da (max)	da (max)	da (min)	R (max)	ZZ	2RS	
10	19	5	0.3	SS6800ZZ	2RS	1456	736	17.0	12.0	12.0	0.30	37000	24000	5
	22	6	0.3	SS6900ZZ	2RS	1992	904	20.0	12.5	12.0	0.30	33000	22000	9
	26	8	0.3	SS6000ZZ	2RS	3640	1576	24.0	13.0	12.0	0.30	30000	22000	18
	30	9	0.6	SS6200ZZ	2RS	4080	1912	26.0	16.0	14.0	0.60	25000	18000	32
	35	11	0.6	SS6300ZZ	2RS	6480	2760	31.0	16.5	14.0	0.60	23000	17000	52
12	21	5	0.3	SS6801ZZ	2RS	1528	832	19.0	14.0	14.0	0.30	32000	20000	6
	24	6	0.3	SS6901ZZ	2RS	2160	1056	22.0	14.5	14.0	0.30	30000	20000	10
	28	8	0.3	SS6001ZZ	2RS	4080	1912	26.0	15.5	14.0	0.30	30000	20000	23
	32	10	0.6	SS6201ZZ	2RS	5440	2440	28.0	17.0	16.0	0.60	22000	17000	37
	37	12	1.0	SS6301ZZ	2RS	7840	3400	32.0	18.0	17.0	1.00	20000	16000	60
15	24	5	0.3	SS6802ZZ	2RS	1656	1000	22.0	17.0	17.0	0.30	28000	17000	7
	28	7	0.3	SS6902ZZ	2RS	3440	1800	26.0	17.0	17.0	0.30	26000	17000	15
	32	9	0.3	SS6002ZZ	2RS	4480	2272	30.0	19.0	17.0	0.30	24000	16000	32
	35	11	0.6	SS6202ZZ	2RS	6120	2960	31.0	20.5	19.0	0.60	24000	15000	45
	42	13	1.0	SS6302ZZ	2RS	9120	4320	37.0	22.5	20.0	1.00	17000	13000	82
17	26	5	0.3	SS6803ZZ	2RS	1704	1088	24.0	19.0	19.0	0.30	26000	15000	7
	30	7	0.3	SS6903ZZ	2RS	3680	2040	28.0	19.5	19.0	0.30	24000	15000	17
	35	10	0.3	SS6003ZZ	2RS	4800	2600	33.0	21.5	19.0	0.30	22000	14000	39
	40	12	0.6	SS6203ZZ	2RS	7640	3840	36.0	23.5	21.0	0.60	22000	14000	65
	47	14	1.0	SS6303ZZ	2RS	10880	5240	42.0	25.5	22.0	1.00	16000	11000	115

Cr=基本動定格荷重 Cor=基本静定格荷重
Cr=Basic dynamic rated load Cor=Basic static rated load
※上記型番以外も製造可能です。お気軽にお問い合わせください。
※We can also produce bearings not in the list. Please contact us.

※接触シール形(2RS)の接触量は各社異なります。
※Different companies have differences on the quantity of contact seal (2RS).

主要寸法(mm) Main Dimensions (mm)				型番 Bearing Number		基本定格荷重 Basic Load Rating		取付関係寸法(mm)参考値 Installation Dimension(mm) Reference Level				許容回転数(min-1) グリス潤滑 rpm Allowable Maximum Speed(min-1) Grease Lubricant rpm		重量(g) 参考 Weight(g) Reference
d	D	B	r _s (min)	シールド形 Shields	接触シール形 Contact Seals	Cr(N)	Cor(N)	Da (max)	da (max)	da (min)	R (max)	ZZ	2RS	
20	32	7	0.3	SS6804ZZ	2RS	2784	1792	30.0	22.0	22.0	0.30	22000	13000	17
	37	9	0.3	SS6904ZZ	2RS	5080	2960	35.0	24.0	22.0	0.30	19000	12000	37
	42	12	0.6	SS6004ZZ	2RS	7520	4000	38.0	25.5	24.0	0.60	18000	11000	70
	47	14	1.0	SS6204ZZ	2RS	10240	5280	42.0	26.5	25.0	1.00	16000	11000	106
	52	15	1.1	SS6304ZZ	2RS	12720	6320	45.5	28.0	26.5	1.00	14000	10000	144
25	37	7	0.3	SS6805ZZ	2RS	2944	2104	35.0	27.0	27.0	0.30	18000	10000	21
	42	9	0.3	SS6905ZZ	2RS	5600	3600	40.0	28.5	27.0	0.30	16000	10000	42
	47	12	0.6	SS6005ZZ	2RS	8080	4680	43.0	30.0	29.0	0.60	15000	9500	79
	52	15	1.0	SS6205ZZ	2RS	11200	6320	47.0	32.0	30.0	1.00	13000	9000	128
30	62	17	1.1	SS6305ZZ	2RS	18880	9680	55.5	36.0	31.5	1.00	12000	8100	232
	42	7	0.3	SS6806ZZ	2RS	4000	3150	40.0	32.0	32.0	0.3	15000	9000	26
	47	9	0.3	SS6906ZZ	2RS	7240	5010	45.0	34.0	32.0	0.3	14000	8500	49
35	55	13	1.0	SS6006ZZ	2RS	11900	7460	50.0	36.5	35.0	1.0	13000	8000	90
	62	16	1.0	SS6206ZZ	2RS	19460	11310	57.0	38.5	35.0	1.0	11000	7500	205
	72	19	1.1	SS6306ZZ	2RS	27000	15200	65.5	42.5	36.5	1.0	9500	6700	340
40	47	7	0.3	SS6807ZZ	2RS	4270	3600	45.0	37.0	37.0	0.3	14000	7500	30
	55	10	0.6	SS6907ZZ	2RS	10390	7160	51.0	39.0	39.0	0.6	12000	7500	86
	62	14	1.0	SS6007ZZ	2RS	16210	10420	57.0	41.5	40.0	1.0	11000	6700	100
	72	17	1.1	SS6207ZZ	2RS	25670	15300	65.5	44.5	41.5	1.0	9500	6300	284
	80	21	1.5	SS6307ZZ	2RS	33500	19200	72.0	47.0	43.0	1.5	8500	6000	464
45	52	7	0.3	SS6808ZZ	2RS	4410	3890	50.0	42.0	42.0	0.3	12000	6700	30
	62	12	0.6	SS6908ZZ	2RS	13020	9200	58.0	46.0	44.0	0.6	11000	6300	112
	68	15	1.0	SS6008ZZ	2RS	17030	11700	63.0	47.5	45.0	1.0	10000	6000	190
	80	18	1.1	SS6208ZZ	2RS	29520	18140	73.5	50.5	46.5	1.0	8500	5600	366
	90	23	1.5	SS6308ZZ	2RS	40500	24000	82.0	53.0	48.0	1.5	7500	5300	636
50	58	7	0.3	SS6809ZZ	2RS	4590	4330	56.0	47.5	47.0	0.3	11000	6000	40
	68	12	0.6	SS6909ZZ	2RS	13490	10130	64.0	50.0	49.0	0.6	9500	5600	126
	75	16	1.0	SS6009ZZ	2RS	21080	14780	70.0	53.5	50.0	1.0	9000	5600	240
	85	19	1.1	SS6209ZZ	2RS	31500	20400	78.8	55.5	51.5	1.0	7500	5300	420
	100	25	1.5	SS6309ZZ	2RS	53000	32000	92.0	61.5	43.0	1.5	6700	4800	829
55	65	7	0.6	SS6810ZZ	2RS	6610	6080	63.0	52.5	52.0	0.6	9500	5300	57
	72	12	0.6	SS6910ZZ	2RS	13900	10990	68.0	55.0	54.0	0.6	9000	5300	135
	80	16	1.0	SS6010ZZ	2RS	22000	16260	75.0	58.5	55.0	1.0	8500	5000	260
	90	20	1.1	SS6210ZZ	2RS	35000	23200	83.5	60.0	56.5	1.0	7100	4800	459
	110	27	2.0	SS6310ZZ	2RS	62000	38500	101.0	68.0	59.0	2.0	6000	4300	1060

Cr=基本動定格荷重 Cor=基本静定格荷重
Cr=Basic dynamic rated load Cor=Basic static rated load
※上記型番以外も製造可能です。お気軽にお問い合わせください。
※We can also produce bearings not in the list. Please contact us.

※接触シール形(2RS)の接触量は各社異なります。
※Different companies have differences on the quantity of contact seal (2RS).