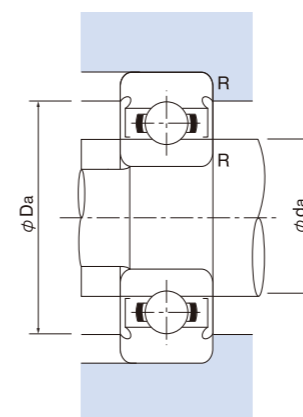
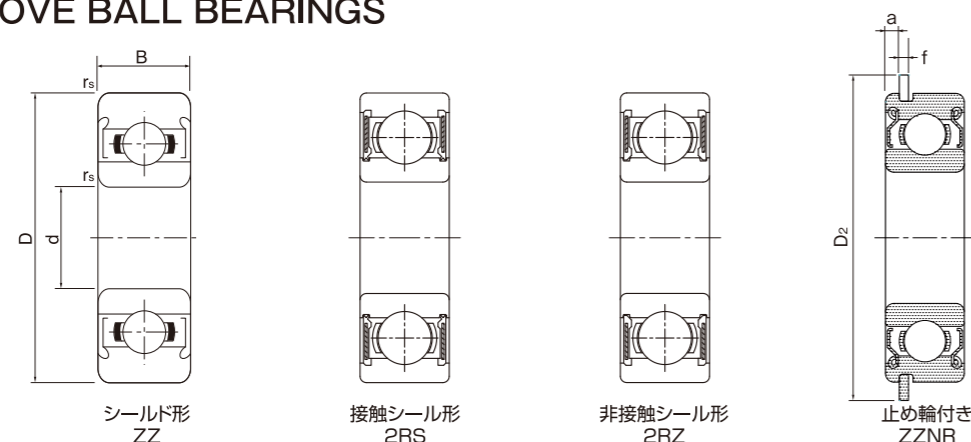


ベアリング BEARINGS



深溝玉軸受

DEEP GROOVE BALL BEARINGS



標準仕様

Standard Specification

| | |
|------------------------------------|--|
| 内外輪 Inner and Outer Rings | SUJ2(相当) (equivalent) |
| ボール Ball | SUJ2(相当) (equivalent) |
| 保持器 Cage | SPCC/SUS302(相当) (equivalent) |
| シールド Shields | SPCC(相当) (equivalent) |
| シール Seals | ニトリルゴム Nitrile Rubber |
| 潤滑油 Lubricant | リチウム系グリース Lithium Greases |
| 精度等級 Accuracy Class | JIS 0級 JIS 0 Class |
| すきま Clearance | CN(C3) CN Clearance |
| 耐熱温度 Heat-Resistant Temperature | Z Z 110°C(参考値) 2RS 100°C(参考値) 2RZ 110°C(参考値) |

RoHS 10

| 主要寸法(mm) Main Dimensions(mm) | | | | 型番 Bearing Number | | | | 止め輪寸法 Dimensions with the snap ring | | |
|---------------------------------|----|----|-------------------------|----------------------|-------------------------------|------------------------------------|-------------------------|--|-------------------------|------------|
| d | D | B | r _s (min) | シールド形 Shields | 接触シール形 Contact Rubber Seal | 非接触シール形 Non-Contact Rubber Seal | 止め輪付き With snap ring | a (max) | D ₂ (max) | f (max) |
| 10 | 15 | 4 | 0.15 | 6700ZZ | 2RS | 2RZ | — | — | — | — |
| | 19 | 5 | 0.3 | 6800ZZ | 2RS | 2RZ | — | — | — | — |
| | 22 | 6 | 0.3 | 6900ZZ | 2RS | 2RZ | ZZNR | 1.05 | 24.8 | 0.70 |
| | 26 | 8 | 0.3 | 6000ZZ (CN-C3) | 2RS | 2RZ | ZZNR | 1.35 | 28.1 | 0.84 |
| | 30 | 9 | 0.6 | 6200ZZ (CN-C3) | 2RS | 2RZ | ZZNR | 2.06 | 34.7 | 1.12 |
| | 35 | 11 | 0.6 | 6300ZZ | 2RS | 2RZ | ZZNR | 2.06 | 39.7 | 1.12 |
| 12 | 18 | 4 | 0.2 | 6701ZZ | 2RS | 2RZ | — | — | — | — |
| | 21 | 5 | 0.3 | 6801ZZ | 2RS | 2RZ | — | — | — | — |
| | 24 | 6 | 0.3 | 6901ZZ | 2RS | 2RZ | ZZNR | 1.05 | 26.8 | 0.70 |
| | 28 | 8 | 0.3 | 6001ZZ (CN-C3) | 2RS | 2RZ | ZZNR | 1.35 | 30.8 | 0.85 |
| | 32 | 10 | 0.6 | 6201ZZ (CN-C3) | 2RS | 2RZ | ZZNR | 2.06 | 36.7 | 1.12 |
| | 37 | 12 | 1.0 | 6301ZZ | 2RS | 2RZ | ZZNR | 2.06 | 41.3 | 1.12 |
| 15 | 21 | 4 | 0.2 | 6702ZZ | 2RS | 2RZ | — | — | — | — |
| | 24 | 5 | 0.3 | 6802ZZ | 2RS | 2RZ | — | — | — | — |
| | 28 | 7 | 0.3 | 6902ZZ | 2RS | 2RZ | ZZNR | 1.30 | 30.8 | 0.85 |
| | 32 | 9 | 0.3 | 6002ZZ (CN-C3) | 2RS | 2RZ | ZZNR | 2.06 | 36.7 | 1.12 |
| | 35 | 11 | 0.6 | 6202ZZ (CN-C3) | 2RS | 2RZ | ZZNR | 2.06 | 39.7 | 1.12 |
| | 42 | 13 | 1.0 | 6302ZZ | 2RS | 2RZ | ZZNR | 2.06 | 46.3 | 1.12 |
| 17 | 23 | 4 | 0.2 | 6703ZZ | 2RS | 2RZ | — | — | — | — |
| | 26 | 5 | 0.3 | 6803ZZ | 2RS | 2RZ | — | — | — | — |
| | 30 | 7 | 0.3 | 6903ZZ | 2RS | 2RZ | ZZNR | 1.30 | 32.8 | 0.85 |
| | 35 | 10 | 0.3 | 6003ZZ (CN-C3) | 2RS | 2RZ | ZZNR | 2.06 | 39.7 | 1.12 |
| | 40 | 12 | 0.6 | 6203ZZ (CN-C3) | 2RS | 2RZ | ZZNR | 2.06 | 44.6 | 1.12 |
| | 47 | 14 | 1.0 | 6303ZZ | 2RS | 2RZ | ZZNR | 2.46 | 52.7 | 1.12 |
| 20 | 27 | 4 | 0.2 | 6704ZZ | 2RS | 2RZ | — | — | — | — |
| | 32 | 7 | 0.3 | 6804ZZ | 2RS | 2RZ | ZZNR | 1.30 | 34.8 | 0.85 |
| | 37 | 9 | 0.3 | 6904ZZ | 2RS | 2RZ | ZZNR | 1.70 | 39.8 | 0.85 |
| | 42 | 12 | 0.6 | 6004ZZ | 2RS | 2RZ | ZZNR | 2.06 | 46.3 | 1.12 |
| | 47 | 14 | 1.0 | 6204ZZ | 2RS | 2RZ | ZZNR | 2.46 | 52.7 | 1.12 |
| | 52 | 15 | 1.1 | 6304ZZ | 2RS | 2RZ | ZZNR | 2.46 | 57.9 | 1.12 |

Cr=基本動定格荷重 Cor=基本静定格荷重
Cr=Basic dynamic rated load Cor=Basic static rated load

※上記型番以外も製造可能です。お気軽にお問い合わせください。
※We can also produce bearings not in the list. Please contact us.

| 基本定格荷重 Basic Load Rating | | 取付関係寸法(mm)参考値 Installation Dimension(mm) Reference Level | | | | 許容回転数(min-1) グリース潤滑 rpm Allowable Maximum Speed(min-1) Grease Lubricant rpm | | 重量(g) 参考 Weight(g) Reference |
|-----------------------------|--------|---|-------------|-------------|------------|--|-------|---------------------------------------|
| Cr(N) | Cor(N) | Da (max) | da (max) | da (min) | R (max) | ZZ-2RZ | 2RS | |
| 855 | 435 | 13.9 | 11.5 | 11.5 | 0.15 | 15000 | 9990 | 2 |
| 1590 | 760 | 17.0 | 12.0 | 12.0 | 0.30 | 34000 | 24000 | 5 |
| 2690 | 1270 | 20.0 | 12.5 | 12.0 | 0.30 | 32000 | 22000 | 9 |
| 4750 | 1960 | 24.0 | 13.0 | 12.0 | 0.30 | 30000 | 22000 | 18 |
| 5100 | 2390 | 26.0 | 16.0 | 14.0 | 0.60 | 24000 | 18000 | 32 |
| 8200 | 3500 | 31.0 | 16.5 | 14.0 | 0.60 | 22000 | 17000 | 52 |
| 926 | 530 | 16.8 | 13.8 | 13.8 | 0.20 | 13000 | 8660 | 3 |
| 1910 | 1040 | 19.0 | 14.0 | 14.0 | 0.30 | 32000 | 20000 | 6 |
| 2890 | 1450 | 22.0 | 14.5 | 14.0 | 0.30 | 30000 | 20000 | 10 |
| 5100 | 2390 | 26.0 | 15.5 | 14.0 | 0.30 | 28000 | 18000 | 23 |
| 6800 | 3050 | 28.0 | 17.0 | 16.0 | 0.60 | 22000 | 17000 | 37 |
| 9700 | 4200 | 32.0 | 18.0 | 17.0 | 1.00 | 20000 | 16000 | 60 |
| 937 | 582 | 19.7 | 16.8 | 16.8 | 0.20 | 11000 | 7330 | 4 |
| 2060 | 1260 | 22.0 | 17.0 | 17.0 | 0.30 | 28000 | 17000 | 7 |
| 4320 | 2260 | 26.0 | 17.0 | 17.0 | 0.30 | 26000 | 17000 | 15 |
| 5600 | 2840 | 30.0 | 19.0 | 17.0 | 0.30 | 24000 | 15000 | 32 |
| 7750 | 3600 | 31.0 | 20.5 | 19.0 | 0.60 | 20000 | 14000 | 45 |
| 11400 | 5450 | 37.0 | 22.5 | 20.0 | 1.00 | 17000 | 13000 | 82 |
| 1000 | 658 | 21.6 | 18.8 | 18.8 | 0.20 | 9500 | 6330 | 4 |
| 2130 | 1360 | 24.0 | 19.0 | 19.0 | 0.30 | 26000 | 15000 | 7 |
| 4310 | 2310 | 28.0 | 19.5 | 19.0 | 0.30 | 24000 | 15000 | 17 |
| 6800 | 3350 | 33.0 | 21.5 | 19.0 | 0.30 | 22000 | 13000 | 39 |
| 9600 | 4600 | 36.0 | 23.5 | 21.0 | 0.60 | 17000 | 12000 | 65 |
| 13500 | 6550 | 42.0 | 25.5 | 22.0 | 1.00 | 15000 | 11000 | 115 |
| 1038 | 725 | 25.3 | 22.3 | 22.3 | 0.20 | 8500 | 5660 | 6 |
| 3470 | 2240 | 30.0 | 22.0 | 22.0 | 0.30 | 22000 | 13000 | 17 |
| 6390 | 3590 | 35.0 | 24.0 | 22.0 | 0.30 | 19000 | 12000 | 37 |
| 9400 | 5050 | 38.0 | 25.5 | 24.0 | 0.60 | 18000 | 11000 | 70 |
| 12800 | 6650 | 42.0 | 26.5 | 25.0 | 1.00 | 15000 | 11000 | 106 |
| 15900 | 7900 | 45.5 | 28.0 | 26.5 | 1.00 | 14000 | 10000 | 144 |

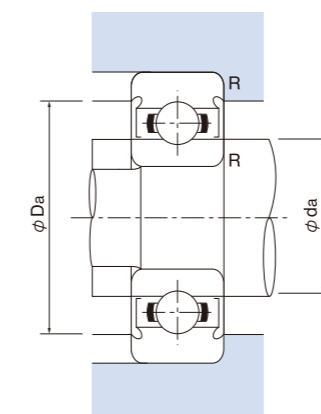
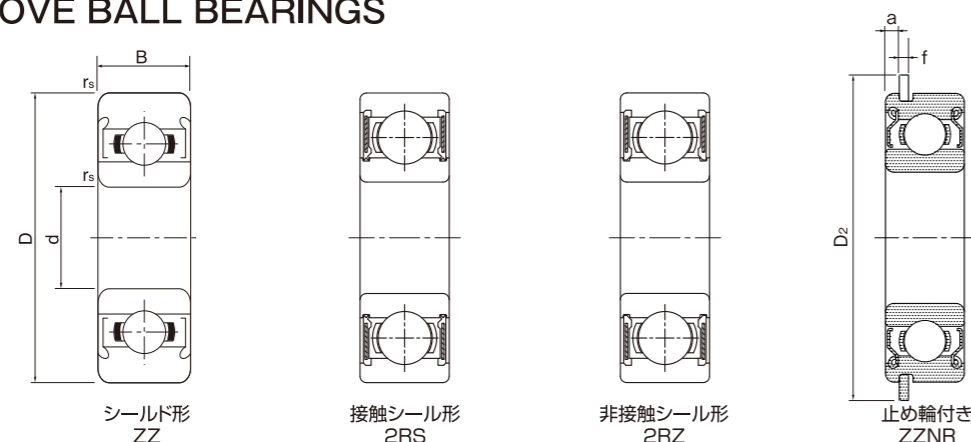
※接触シール形(2RS)の接触量は各社異なります。
※Different companies have differences on the quantity of contact seal (2RS).

ベアリング BEARINGS



深溝玉軸受

DEEP GROOVE BALL BEARINGS



標準仕様

Standard Specification

| | |
|------------------------------------|---|
| 内外輪 Inner and Outer Rings | SUJ2(相当) (equivalent) |
| ボール Ball | SUJ2(相当) (equivalent) |
| 保持器 Cage | SPCC(相当) (equivalent) |
| シールド Shields | SPCC(相当) (equivalent) |
| シール Seals | ニトリルゴム Nitrile Rubber |
| 潤滑油 Lubricant | リチウム系グリース Lithium Greases |
| 精度等級 Accuracy Class | JIS 0級 JIS 0 Class |
| すきま Clearance | CN CN Clearance |
| 耐熱温度 Heat-Resistant Temperature | ZZ 110°C(参考値) 2RS 100°C(参考値) 2RZ 110°C(参考値) |

RoHS 10

| 主要寸法(mm) Main Dimensions(mm) | | | | 型番 Bearing Number | | | | 止め輪寸法 Dimensions with the snap ring | | |
|---------------------------------|-----|----|-------------------------|----------------------|-------------------------------|------------------------------------|-------------------------|--|-------------------------|------------|
| d | D | B | r _s (min) | シールド形 Shields | 接触シール形 Contact Rubber Seal | 非接触シール形 Non-Contact Rubber Seal | 止め輪付き With snap ring | a (max) | D ₂ (max) | f (max) |
| 25 | 37 | 7 | 0.3 | 6805ZZ | 2RS | 2RZ | ZZNR | 1.30 | 39.8 | 0.85 |
| | 42 | 9 | 0.3 | 6905ZZ | 2RS | 2RZ | ZZNR | 1.70 | 44.8 | 0.85 |
| | 47 | 12 | 0.6 | 6005ZZ | 2RS | 2RZ | ZZNR | 2.06 | 52.7 | 1.12 |
| | 52 | 15 | 1.0 | 6205ZZ | 2RS | 2RZ | ZZNR | 2.46 | 57.9 | 1.12 |
| | 62 | 17 | 1.1 | 6305ZZ | 2RS | 2RZ | ZZNR | 3.28 | 67.7 | 1.70 |
| 30 | 42 | 7 | 0.3 | 6806ZZ | 2RS | 2RZ | ZZNR | 1.30 | 44.8 | 0.85 |
| | 47 | 9 | 0.3 | 6906ZZ | 2RS | 2RZ | ZZNR | 1.70 | 49.8 | 0.85 |
| | 55 | 13 | 1.0 | 6006ZZ | 2RS | 2RZ | ZZNR | 2.08 | 60.7 | 1.12 |
| | 62 | 16 | 1.0 | 6206ZZ | 2RS | 2RZ | ZZNR | 3.28 | 67.7 | 1.70 |
| | 72 | 19 | 1.1 | 6306ZZ | 2RS | 2RZ | ZZNR | 3.28 | 78.6 | 1.70 |
| 35 | 47 | 7 | 0.3 | 6807ZZ | 2RS | 2RZ | ZZNR | 1.30 | 49.8 | 0.85 |
| | 55 | 10 | 0.6 | 6907ZZ | 2RS | 2RZ | ZZNR | 1.70 | 57.8 | 0.85 |
| | 62 | 14 | 1.0 | 6007ZZ | 2RS | 2RZ | ZZNR | 2.08 | 67.7 | 1.70 |
| | 72 | 17 | 1.1 | 6207ZZ | 2RS | 2RZ | ZZNR | 3.28 | 78.6 | 1.70 |
| | 80 | 21 | 1.5 | 6307ZZ | 2RS | 2RZ | ZZNR | 3.28 | 86.6 | 1.70 |
| 40 | 52 | 7 | 0.3 | 6808ZZ | 2RS | 2RZ | ZZNR | 1.30 | 54.8 | 0.85 |
| | 62 | 12 | 0.6 | 6908ZZ | 2RS | 2RZ | ZZNR | 1.70 | 64.8 | 0.85 |
| | 68 | 15 | 1.0 | 6008ZZ | 2RS | 2RZ | ZZNR | 2.49 | 74.6 | 1.70 |
| | 80 | 18 | 1.1 | 6208ZZ | 2RS | 2RZ | ZZNR | 3.28 | 86.6 | 1.70 |
| | 90 | 23 | 1.5 | 6308ZZ | 2RS | 2RZ | ZZNR | 3.28 | 96.5 | 2.46 |
| 45 | 58 | 7 | 0.3 | 6809ZZ | 2RS | 2RZ | ZZNR | 1.30 | 60.8 | 0.85 |
| | 68 | 12 | 0.6 | 6909ZZ | 2RS | 2RZ | ZZNR | 1.70 | 70.8 | 0.85 |
| | 75 | 16 | 1.0 | 6009ZZ | 2RS | 2RZ | ZZNR | 2.49 | 81.6 | 1.70 |
| | 85 | 19 | 1.1 | 6209ZZ | 2RS | 2RZ | ZZNR | 3.28 | 91.6 | 1.70 |
| | 100 | 25 | 1.5 | 6309ZZ | 2RS | 2RZ | ZZNR | 3.28 | 106.5 | 2.46 |
| 50 | 65 | 7 | 0.6 | 6810ZZ | 2RS | 2RZ | ZZNR | 1.30 | 67.8 | 0.85 |
| | 72 | 12 | 0.6 | 6910ZZ | 2RS | 2RZ | ZZNR | 1.70 | 74.8 | 0.85 |
| | 80 | 16 | 1.0 | 6010ZZ | 2RS | 2RZ | ZZNR | 2.49 | 86.6 | 1.70 |
| | 90 | 20 | 1.1 | 6210ZZ | 2RS | 2RZ | ZZNR | 3.28 | 96.5 | 2.46 |
| | 110 | 27 | 2.0 | 6310ZZ | 2RS | 2RZ | ZZNR | 3.28 | 116.6 | 2.46 |

Cr=基本動定格荷重 Cor=基本静定格荷重
Cr=Basic dynamic rated load Cor=Basic static rated load

※上記型番以外も製造可能です。お気軽にお問い合わせください。
※We can also produce bearings not in the list. Please contact us.

| 基本定格荷重 Basic Load Rating | | 取付関係寸法(mm)参考値 Installation Dimension(mm) Reference Level | | | | 許容回転数(min-1) グリース潤滑 rpm Allowable Maximum Speed(min-1) Grease Lubricant rpm | | 重量(g) 参考 Weight(g) Reference |
|-----------------------------|--------|---|-------------|-------------|------------|--|-------|---------------------------------------|
| Cr(N) | Cor(N) | Da (max) | da (max) | da (min) | R (max) | ZZ-2RZ | 2RS | |
| 3666 | 2640 | 35.0 | 27.0 | 27.0 | 0.30 | 18000 | 10000 | 21 |
| 6650 | 4190 | 40.0 | 28.5 | 28.5 | 0.30 | 16000 | 10000 | 42 |
| 11900 | 6550 | 43.0 | 30.0 | 30.0 | 0.60 | 15000 | 9500 | 79 |
| 14800 | 7850 | 47.0 | 32.0 | 32.0 | 1.00 | 13000 | 9000 | 128 |
| 23400 | 11600 | 55.5 | 36.0 | 36.0 | 1.00 | 11000 | 8000 | 232 |
| 4020 | 3120 | 40.0 | 32.0 | 32.0 | 0.30 | 15000 | 9000 | 24 |
| 7200 | 5050 | 45.0 | 34.0 | 32.0 | 0.30 | 14000 | 8500 | 52 |
| 13800 | 8300 | 50.0 | 36.5 | 35.0 | 1.00 | 13000 | 8000 | 116 |
| 20300 | 11300 | 57.0 | 38.5 | 35.0 | 1.00 | 11000 | 7500 | 199 |
| 29600 | 16000 | 65.5 | 42.5 | 36.5 | 1.00 | 9500 | 6700 | 345 |
| 4310 | 3610 | 45.0 | 37.0 | 37.0 | 0.30 | 14000 | 7500 | 27 |
| 10370 | 7180 | 51.0 | 39.0 | 39.0 | 0.60 | 12000 | 7500 | 75 |
| 16000 | 10300 | 57.0 | 41.5 | 40.0 | 1.00 | 11000 | 6700 | 151 |
| 27000 | 15300 | 65.5 | 44.5 | 41.5 | 1.00 | 9500 | 6300 | 284 |
| 33500 | 19100 | 72.0 | 47.0 | 43.0 | 1.50 | 8500 | 6000 | 464 |
| 4420 | 3895 | 50.0 | 42.0 | 42.0 | 0.30 | 12000 | 6700 | 31 |
| 11270 | 8450 | 58.0 | 46.0 | 44.0 | 0.60 | 11000 | 6300 | 112 |
| 17800 | 11600 | 63.0 | 47.5 | 45.0 | 1.00 | 10000 | 6000 | 190 |
| 32500 | 19000 | 73.5 | 50.5 | 46.5 | 1.00 | 8500 | 5600 | 366 |
| 40500 | 24000 | 82.0 | 53.0 | 48.0 | 1.50 | 7500 | 5300 | 636 |
| 4620 | 4330 | 56.0 | 47.5 | 47.0 | 0.30 | 11000 | 6000 | 38 |
| 13500 | 10270 | 64.0 | 50.0 | 49.0 | 0.60 | 9500 | 5600 | 126 |
| 21000 | 15200 | 70.0 | 53.5 | 50.0 | 1.00 | 9000 | 5300 | 241 |
| 32500 | 20400 | 78.5 | 55.5 | 51.5 | 1.00 | 7500 | 5300 | 420 |
| 53000 | 32000 | 92.0 | 61.5 | 53.0 | 1.50 | 6700 | 4800 | 829 |
| 5500 | 5270 | 63.0 | 52.5 | 52.0 | 0.60 | 9500 | 5300 | 50 |
| 13890 | 10990 | 68.0 | 55.0 | 54.0 | 0.60 | 9000 | 5300 | 135 |
| 21800 | 16600 | 75.0 | 58.5 | 55.0 | 1.00 | 8500 | 4800 | 261 |
| 35100 | 23300 | 83.5 | 60.0 | 56.5 | 1.00 | 7100 | 4800 | 459 |
| 62000 | 38500 | 101.0 | 68.0 | 59.0 | 2.00 | 6000 | 4300 | 1060 |

※接触シール形(2RS)の接触量は各社異なります。
※Different companies have differences on the quantity of contact seal (2RS).